

RJ-XAU, BIMETAL CONNECTOR

Application:

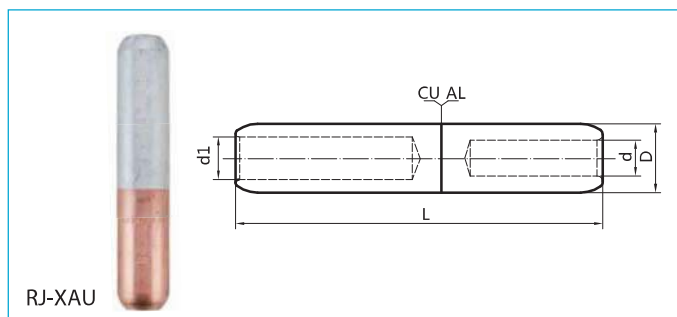
Used for transition connection of aluminium cable or aluminium alloy cable with copper cable in medium voltage.

Material: Al \geq 99.5%, Cu \geq 99.9%

Feature:

- Oil blocking structure
- Friction welded
- Prefilled with jointing compound.

Standard: NF C 33-090



RJ-XAU

Type	Conductor Size (mm ²)	Dimensions				Pack(pcs)	Crimping Die	
		L(mm)	d(mm)	D(mm)	d1(mm)		Al(Indent)	Cu(Hex)
RJ-1AU-70-35	AL70/CU35	106.5	11	20	8.5	80x4	MJ 1E-1E	E173
RJ-1AU-95-50	AL95/CU50	106.5	12.5	20	9.5	80x4	MJ 1E-1E	E173
RJ-1AU-95-70	AL95/CU70	106.5	12.5	20	11	80x4	MJ 1E-1E	E173
RJ-2AU-120-70	AL120/CU70	133	13.7	25	11	30x4	MJ 2E-2E	E215
RJ-2AU-120-95	AL120/CU95	133	13.7	25	13	30x4	MJ 2E-2E	E215
RJ-2AU-150-95	AL150/CU95	133	15.5	25	13	30x4	MJ 2E-2E	E215
RJ-2AU-150-150	AL150/CU150	133	15.5	25	16	30x4	MJ 2E-2E	E215
RJ-4AU-185-120	AL185/CU120	143.5	17	32	14.2	20x4	MJ 4E-4E	-
RJ-4AU-240-150	AL240/CU150	143.5	19.5	32	16	20x4	MJ 4E-4E	-
RJ-4AU-240-185	AL240/CU185	143.5	19.5	32	18	20x4	MJ 4E-4E	-