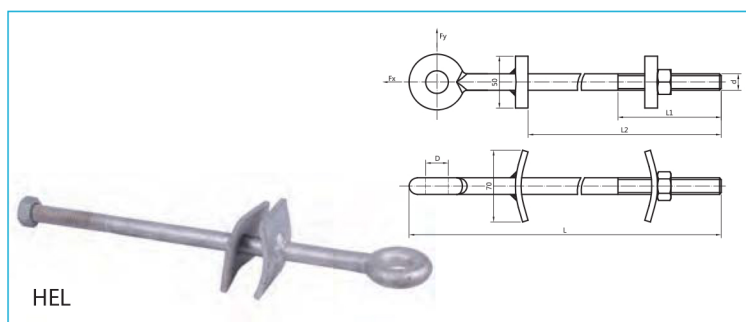


## HEL, HOOK

Hook HEL is designed for aerial cables and service lines.

- Made of steel with hot-dip galvanized on surface.
- Installation length is freely adjusted through nut, flexible brace and welded brace.



Type	Dimensions(mm)					Failure Load (kN)		Pack (pcs)
	L	L1	L2	d	D	Fx	Fy	
HEL5561	317	80	230	M16	22	39.2	6.8	30
HEL5562	367	80	230	M16	22	39.2	5	30
HEL5574	431	100	290	M20	22	39.2	10	20