

# GTLZ, BIMETAL PIN LUG

**Application:**

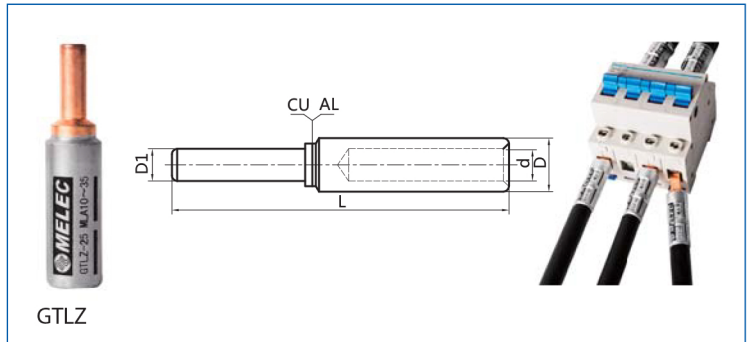
Used for transition connection of aluminium cable or aluminium alloy cable with copper end of mini circuit breaker in low voltage.

**Material:** Al ≥ 99.5%, Cu ≥ 99.9%

**Feature:**

- Oil blocking structure
- Friction welded
- Cylinder copper pin
- Clear markings on barrel to indicate correct crimping location, together with Melec standard crimping die.
- Prefilled with jointing compound.

**Standard:** IEC 61238-1:2003



GTLZ

Type	Conductor Size (mm <sup>2</sup> )	Dimensions				Pack(pcs)	Crimping Die
		L(mm)	d(mm)	D(mm)	D1(mm)		
GTLZ-10	10	54	4.5	12.5	5	280x4	MLA10~35
GTLZ-16	16	54	5.5	12.5	6	140x8	MLA10~35
GTLZ-25	25	54	7.0	12.5	6	140x8	MLA10~35
GTLZ-35	35	56	8.0	12.5	7	120x8	MLA10~35
GTLZ-50	50	62	9.0	15	8	90x8	MLA50
GTLZ-70	70	67	11.0	17.5	10	50x8	MLA70
GTLZ-95	95	73	12.5	21	12	35x8	MLA95~120
GTLZ-120	120	78	13.7	21	12	55x4	MLA95~120