

GTLP, BIMETAL PIN LUG

Application:

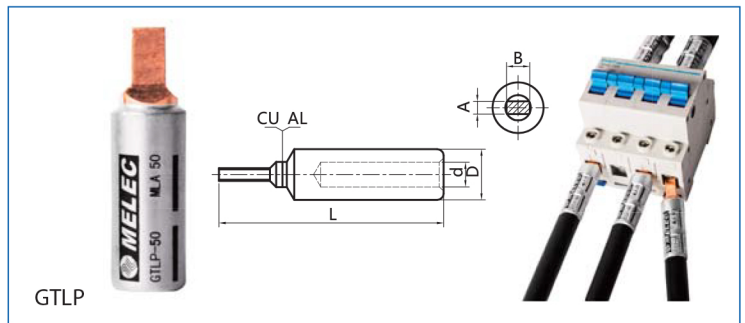
Used for transition connection of aluminium cable or aluminium alloy cable with copper end of mini circuit breaker in low voltage.

Material: Al ≥ 99.5%, Cu ≥ 99.9%

Feature:

- Oil blocking structure
- Friction welded
- Cubic copper pin
- Clear markings on barrel to indicate correct crimping location, together with Melec standard crimping die.
- Prefilled with jointing compound.

Standard: IEC 61238-1:2003



Type	Conductor Size (mm ²)	Dimensions					Pack(pcs)	Crimping Die
		L(mm)	d(mm)	D(mm)	B(mm)	A(mm)		
GTLP-10	10	49	4.5	12.5	5.5	3	140x8	MLA10~35
GTLP-16	16	49	5.5	12.5	5.5	3	140x8	MLA10~35
GTLP-25	25	49	7.0	12.5	5.5	3	140x8	MLA10~35
GTLP-35	35	49	8.0	12.5	6.0	4	140x8	MLA10~35
GTLP-50	50	52	9.0	15	7.0	5	120x8	MLA50
GTLP-70	70	56	11.0	17.5	8.5	6	80x8	MLA70
GTLP-95	95	62	12.5	21	9.7	7.5	60x8	MLA95~120
GTLP-120	120	62	13.7	21	9.7	7.5	60x8	MLA95~120