

GLI, ALUMINIUM CONNECTOR

Application:

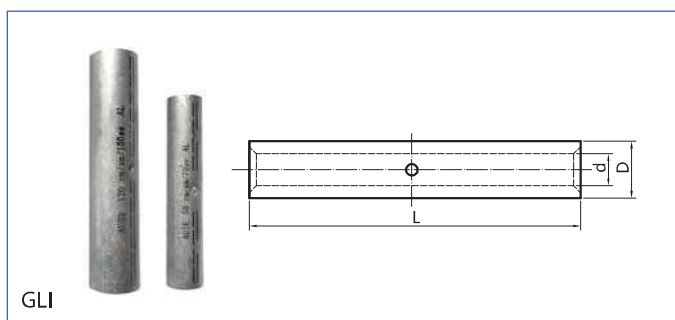
Used for intermediate connection of aluminium cable and aluminium alloy cable in medium voltage.

Material: Al \geq 99.5%

Feature:

- Clear markings on barrel to indicate correct crimping location, together with DIN standard crimping die.
- Prefilled with jointing compound.

Standard: DIN 46267



Type	Conductor Size (mm ²)	Dimensions			Pack(pcs)	Crimping Die
		L(mm)	d(mm)	D(mm)		
GLI16	16	55	5.8	12	160x8	DL12
GLI25	25	70	6.8	12	160x8	DL12
GLI35	35	85	8	14	100x8	DL14
GLI50	50	85	9.8	16	80x8	DL16
GLI70	70	105	11.2	18.5	40x8	DL18
GLI95	95	105	13.2	22	30x8	DL22
GLI120	120	105	14.7	23	50x4	DL22
GLI150	150	125	16.3	25	40x4	DL25
GLI185	185	125	18.3	28.5	30x4	DL28
GLI240	240	145	21	32	20x4	DL32
GLI300	300	145	23.3	34	15x4	-
GLI400	400	210	26	38.5	8x4	-
GLI500	500	210	29	44	8x4	-
GLI630	630	210	32.5	47	6x4	-