

CXAU, BIMETAL LUG

Application:

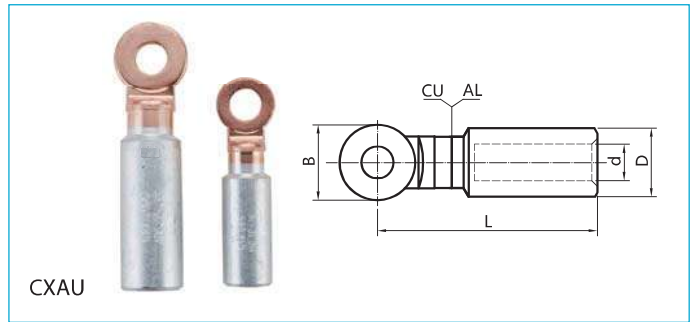
Used for transition connection of aluminium cable or aluminium alloy cable with copper end of electrical equipment in medium voltage.

Material: Al ≥ 99.5%, Cu ≥ 99.9%

Feature:

- Oil blocking structure
- Friction welded
- Prefilled with jointing compound.

Standard: NF C 33-090



CXAU

Type	Conductor Size (mm ²)	Dimensions				Stud size	Pack(pcs)	Crimping Die Indent
		L(mm)	d(mm)	D(mm)	B(mm)			
C0AU16	16	70	5.5	16	20	M10	300	MC 0E-0E
C0AU25	25	70	6.5	16	20	M10	300	MC 0E-0E
C0AU35	35	74.5	8	16	24	M12	300	MC 0E-0E
C1AU50	50	74.5	9	20	24	M12	240	MC 1E-1E
C1AU70	70	74.5	11	20	24	M12	240	MC 1E-1E
C1AU95	95	74.5	12.5	20	24	M12	240	MC 1E-1E
C2AU120	120	96	13.7	25	30	M12	150	MC 2E-2E
C2AU150	150	96	15.5	25	30	M12	150	MC 2E-2E
C4AU185	185	97.5	17	32	30	M12	90	MC 4E-4E
C4AU240	240	97.5	19.5	32	30	M12	90	MC 4E-4E
C5AU300	300	145	23.3	40	40	M16	42	MC 5E-5E
C5AU400	400	145	26	40	40	M16	42	MC 5E-5E
C6AU500	500	148	29.1	47	60X60	4xM8	16	MC 6E-6E
C6AU630	630	148	32.5	47	60X60	4xM8	16	MC 6E-6E