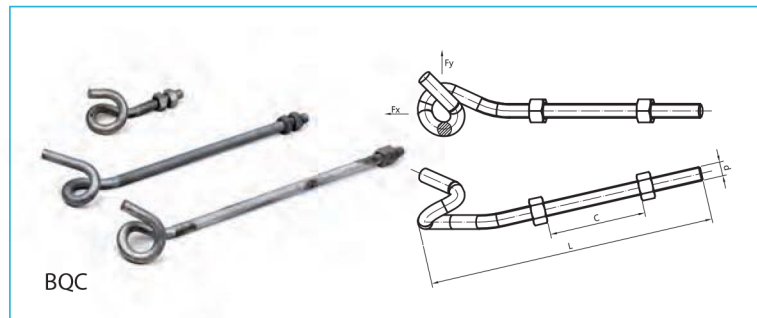


## BQC, HOOK

Hook BQC is designed for services lines.

- Made of steel with hot-dip galvanized on surface.
- Installation length is freely adjusted through two nuts.
- Used together with FHA, PA tension clamps.
- Standard: NF C 33-042



Type	Dimensions(mm)			Failure Load (kN)		Pack (pcs)
	L	d	C(max)	Fx	Fy	
BQC 12-55	115	M12	30	1.96	0.39	150
BQC 12-250	310	M12	225	1.96	0.39	72
BQC 12-300	360	M12	275	1.96	0.39	72