

AU, ALUMINIUM LUG

Application:

Used for connection of aluminium cable or aluminium alloy cable with aluminium end of electrical equipment in medium voltage.

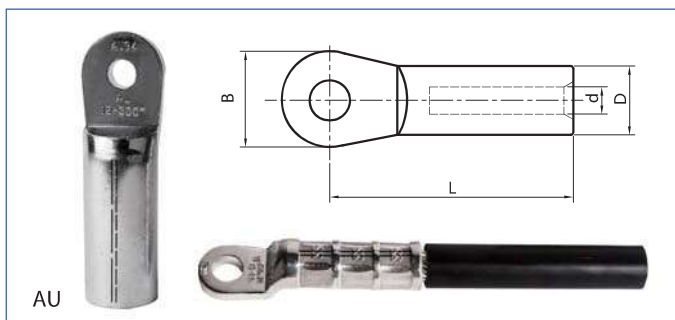
Material: Al ≥ 99.5%

Surface: tin plated

Feature:

- Oil blocking structure
- Clear markings on barrel to indicate correct crimping location, together with DIN standard crimping die.
- Prefilled with jointing compound.

Standard: DIN 46329



Type	Conductor Size (mm ²)	Dimensions				Stud Size	Pack(pcs)	Crimping Die
		L(mm)	d(mm)	D(mm)	B(mm)			
AU16-8	16	50	5.8	12	20	M8	150x8	DL12
AU16-10		50	5.8	12	20	M10		
AU25-8	25	50	6.8	12	25	M8	150x8	DL12
AU25-10		50	6.8	12	25	M10		
AU35-8	35	62	8	14	25	M8	100x8	DL14
AU35-10		62	8	14	25	M10		
AU50-10	50	62	9.8	16	25	M10	80x8	DL16
AU50-12		62	9.8	16	25	M12		
AU70-10	70	72	11.2	18.5	25	M10	50x8	DL18
AU70-12		72	11.2	18.5	25	M12		
AU95-8	95	77	13.2	22	25	M8	40x8	DL22
AU95-10		77	13.2	22	25	M10		
AU95-12		77	13.2	22	25	M12		
AU120-10	120	82	14.7	23	30	M10	60x4	DL22
AU120-12		82	14.7	23	30	M12		
AU120-16		82	14.7	23	30	M16		
AU150-10	150	90	16.3	25	30	M10	40x4	DL25
AU150-12		90	16.3	25	30	M12		
AU150-16		90	16.3	25	30	M16		
AU185-12	185	91	18.3	28.5	30	M12	40x4	DL28
AU185-16		91	18.3	28.5	30	M16		
AU240-12	240	103	21	32	38	M12	25x4	DL32
AU240-16		103	21	32	38	M16		
AU300-12	300	103	23.3	34	38	M12	25x4	-
AU300-16		103	23.3	34	38	M16		
AU400-16	400	116	26	38.5	38	M16	16x4	-
AU500-16	500	122	29	44	44	M16	16x4	-