

ATL, BIMETAL LUG

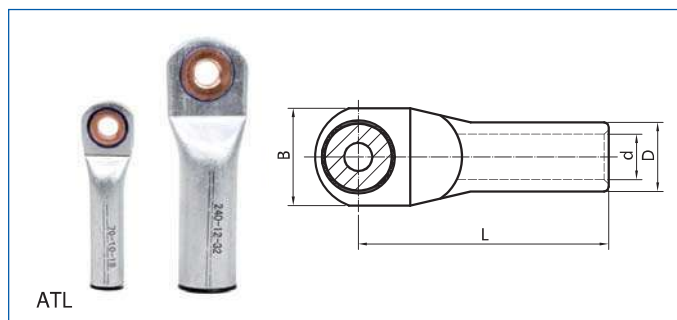
Application:

Used for transition connection of aluminium cable or aluminium alloy cable with copper end of electrical equipment in low voltage.

Material: Al \geq 99.5%, Cu \geq 99.9%

Feature:

- Epoxy resin applied on the contact area of copper and aluminium.
- Clear markings on barrel to indicate correct crimping location, together with DIN standard crimping die.
- Prefilled with jointing compound.



Type	Conductor Size (mm ²)	Dimensions				Stud Size	Pack(pcs)	Crimping Die
		L(mm)	d(mm)	D(mm)	B(mm)			
ATL16-8	16	52	5.8	12	22	M8	160x8	DL12
ATL16-10		52	5.8	12	25	M10		
ATL25-8	25	60	6.8	12	22	M8	160x8	DL12
ATL25-10		60	6.8	12	25	M10		
ATL35-8	35	67	8	14	22	M8	80x8	DL14
ATL35-10		67	8	14	25	M10		
ATL35-12		67	8	14	30	M12		
ATL50-8	50	72	9.8	16	25	M8	50x8	DL16
ATL50-10		72	9.8	16	27	M10		
ATL50-12		72	9.8	16	30	M12		
ATL70-8	70	86	11.2	18.5	28	M8	40x8	DL18
ATL70-10		86	11.2	18.5	29	M10		
ATL70-12		86	11.2	18.5	32	M12		
ATL95-10	95	90	13.2	22	32	M10	25x8	DL22
ATL95-12		90	13.2	22	35	M12		
ATL95-16		90	13.2	22	37.5	M16		
ATL120-10	120	91	14.7	23	34	M10	60x4	DL22
ATL120-12		91	14.7	23	35	M12		
ATL150-10	150	103	16.3	25	35	M10	30x4	DL25
ATL150-12		103	16.3	25	35	M12		
ATL150-16		103	16.3	25	41	M16		
ATL185-12	185	106	18.3	28.5	40	M12	30x4	DL28
ATL185-16		106	18.3	28.5	42	M16		
ATL240-12	240	116	21	32	45	M12	16x4	DL32
ATL240-16		116	21	32	45	M16		
ATL300-16	300	124	23.3	34	51	M16	16x4	-
ATL300-20		124	23.3	34	51	M20		